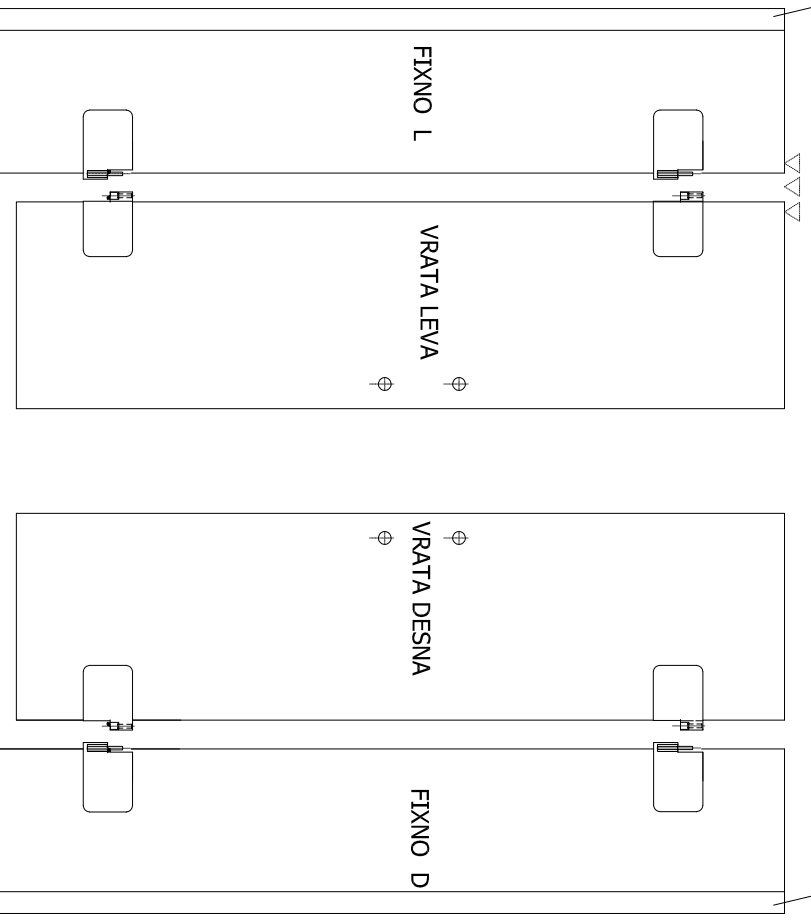
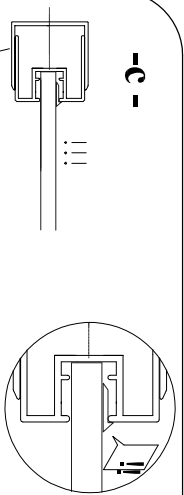
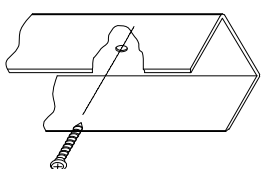
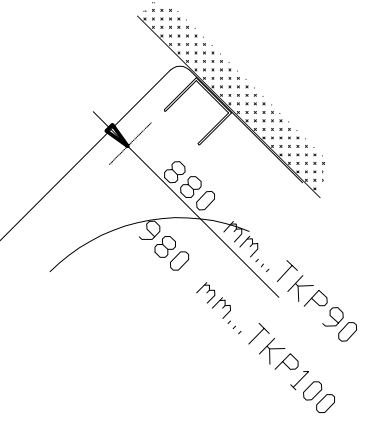
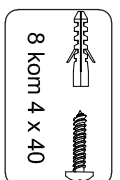
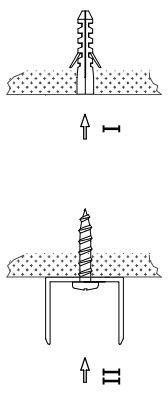
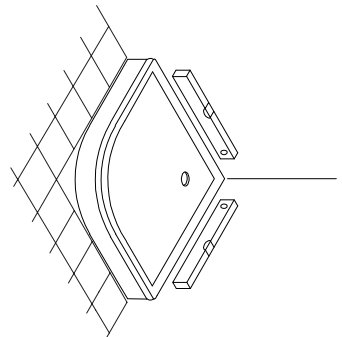


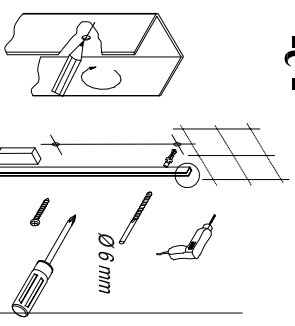
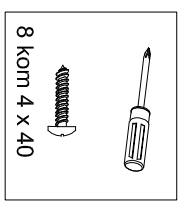
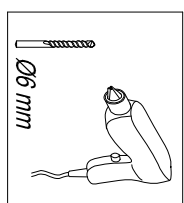
-c-



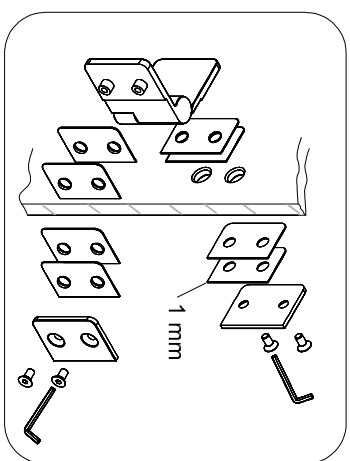
-d-



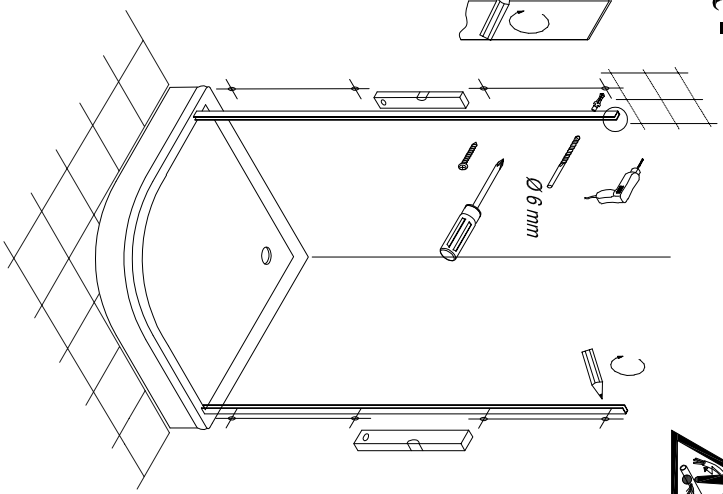
-e-



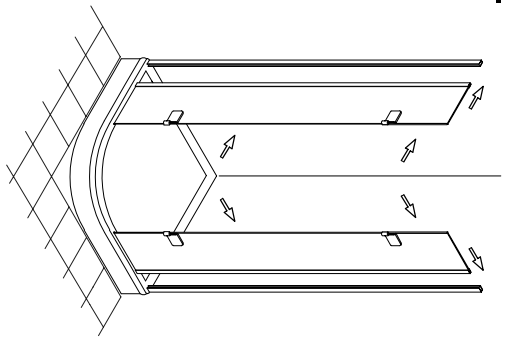
-3-



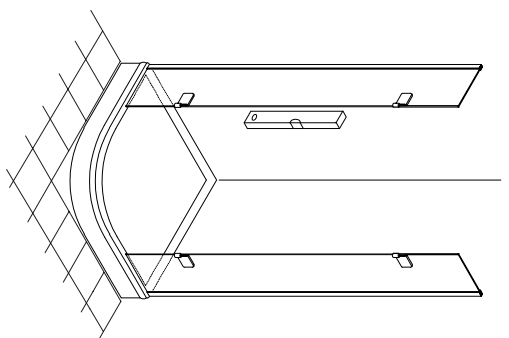
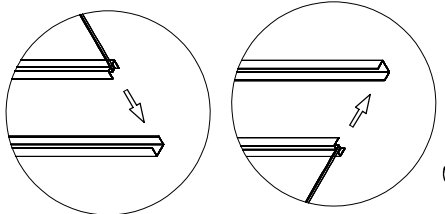
-4-



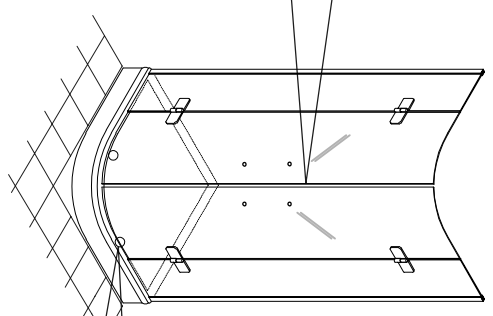
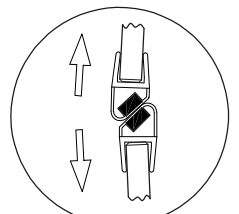
-f-



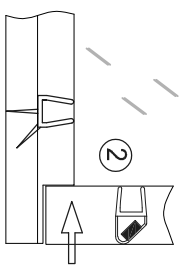
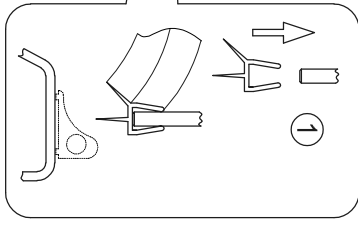
-g-



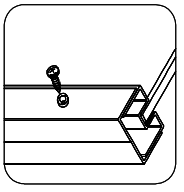
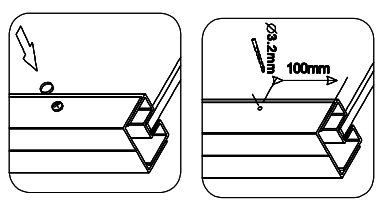
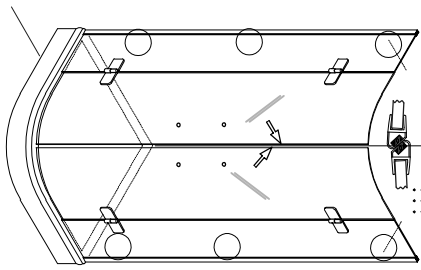
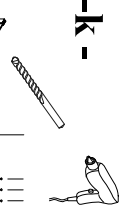
-j-



L:D

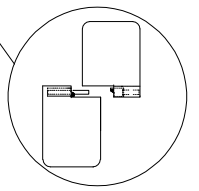
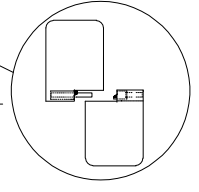


-k-

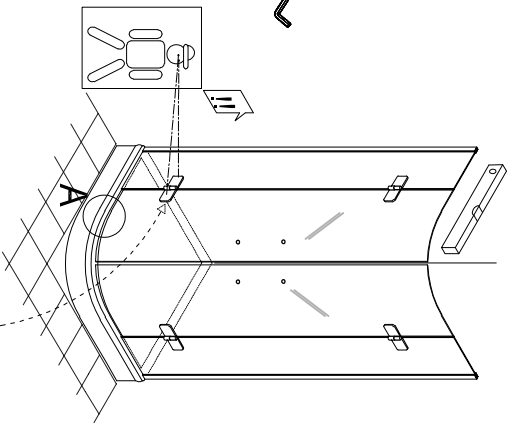
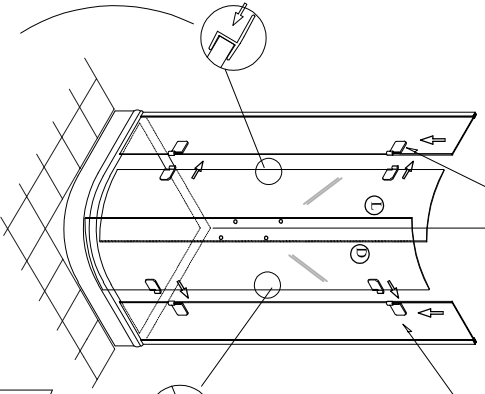
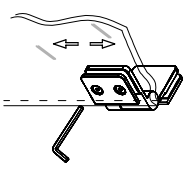


- -
 - ①
- 3 X 4 X 10

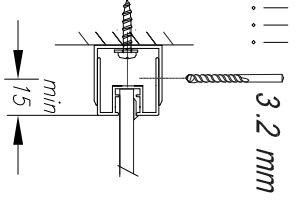
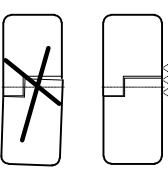
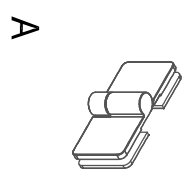
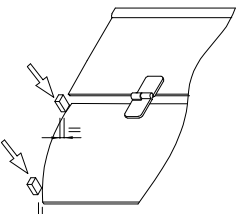
-h-



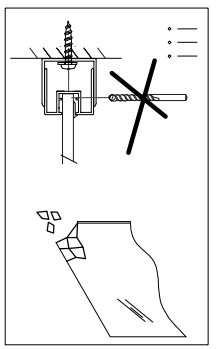
-i-



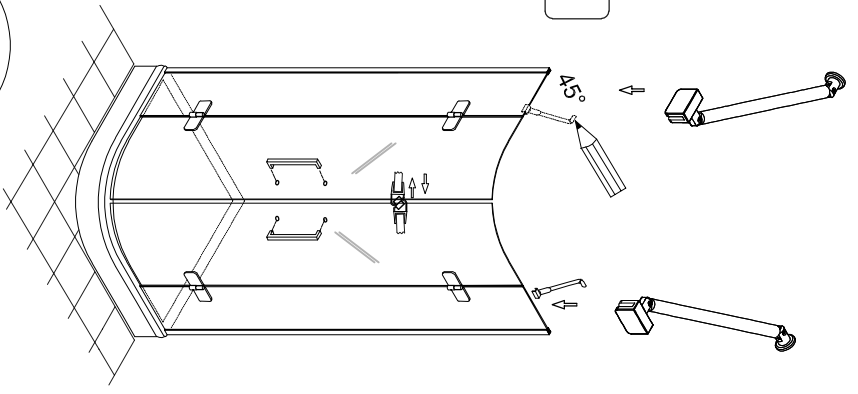
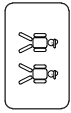
-5-



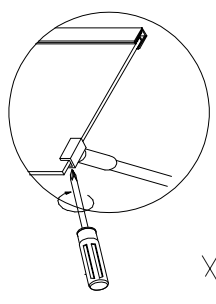
-6-



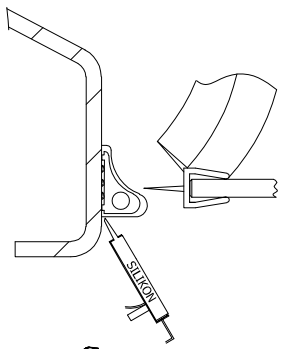
-1-



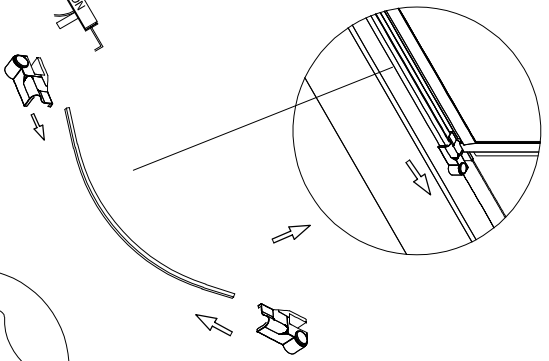
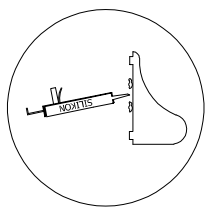
-m-



silikon



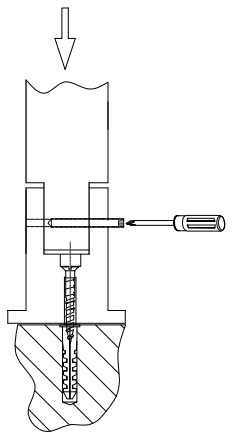
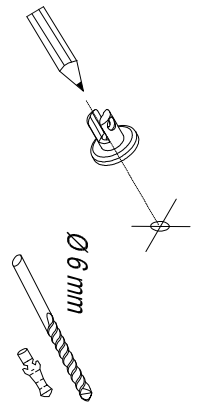
-7-



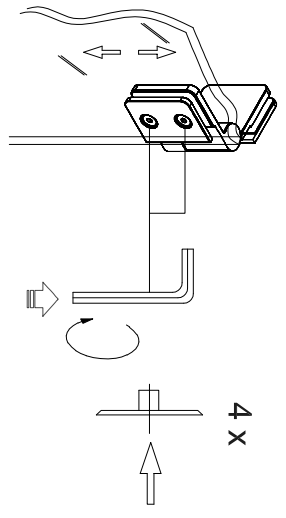
4 x 4.0



Ø 6 mm

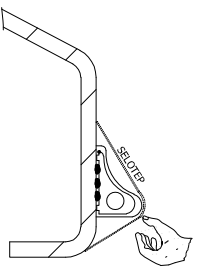
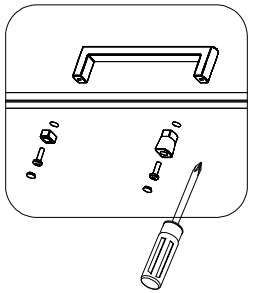
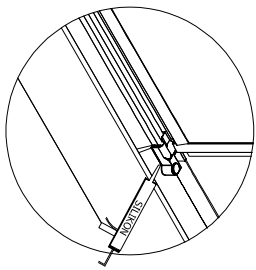


-n-

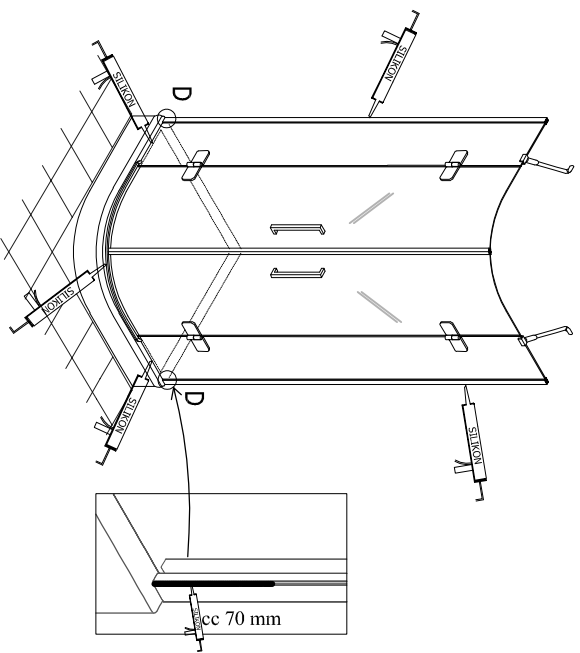


10 Nm

4 x

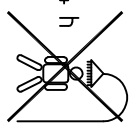


-8-

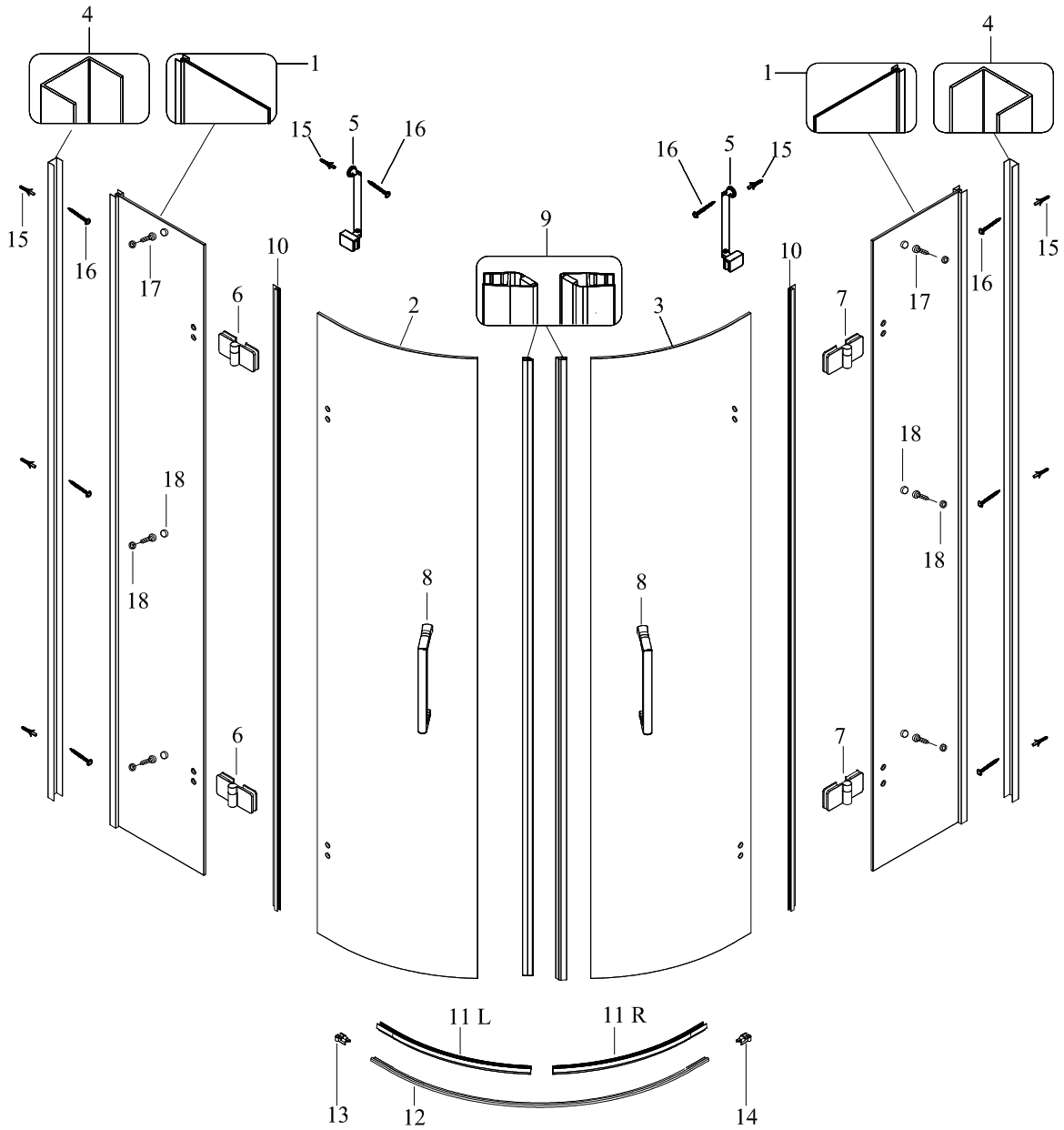




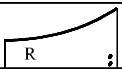
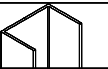
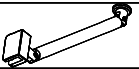









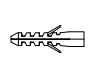
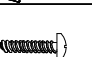
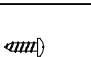

cc 70 mm

24 h



TKP ATLAS



1		x2	2		x1	3		x1	4		x2	5		x2
6		x2	7		x2	8		x2	9		x2	10		x2
11		x2	12		x2	13		x1	14		x1	15		x8
16		4x30 x8	17		4x10 x6	18		x6	19					